



SRM9000 Accessories

OPTION BOARDS



P25 Upgrade Board



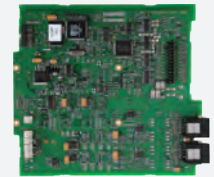
Systems/Encryption Interface Board



600 Ohm Balanced Audio Interface Board



ASI Board with GPS



Dual Head/ Transceiver & Serial/ Parallel I/ O Board

AUDIO ACCESSORIES



Desktop Bases



Handset



Handsfree Kit



Loudspeaker square or slim



Desktop Microphone

MISCELLANEOUS ACCESSORIES & CABLES



Field Encryption Programmer



Remote PTT Switch



100m Control unit extender kit



Quick Release Cradle

Also available: • USB programming lead • Serial programming lead
• Repeater crosslink cable • Microphone extension lead



Analogue MPT Trunking P25 Conventional P25 Trunking

Mobile System Solutions

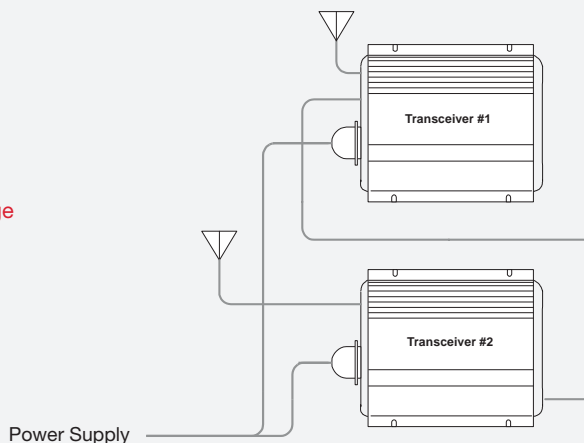
The SRM9000 series of radios can have different option boards installed to allow a range of different configurations as in the examples below.

Transparent P25 or Simple Analogue Repeater

This simple configuration allows repeating of Analogue or P25 digital radio traffic.

Ideal for:

- Deployment in vehicle to extend portable radio range
- Extension of Infrastructure coverage

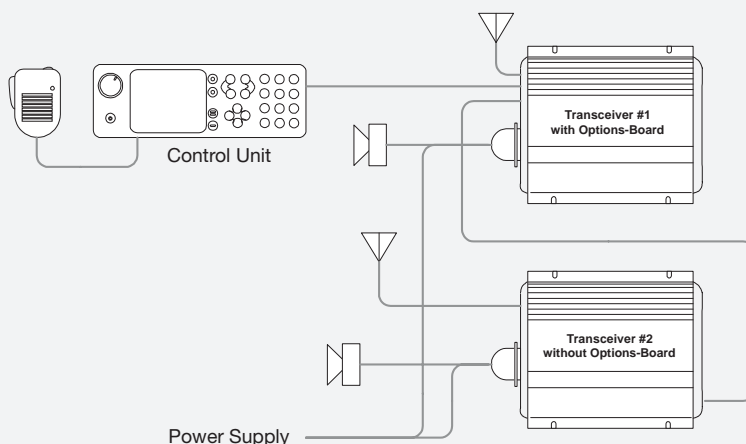


Dual transceivers using common control unit

This configuration allows two transceivers to be connected to one control head. Transceivers may be PMR or Trunked (or one of each).

Ideal for:

- Vehicles with limited mounting space
- Switching between 2 types of networks
- Cross band or cross mode

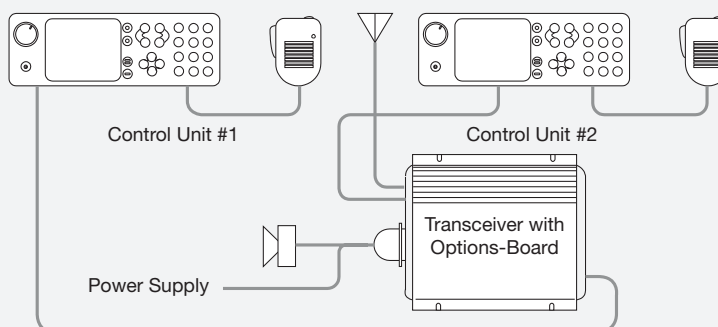


Dual control units with a common transceiver

This configuration allows two control units to be connected with one transceiver. Control units may be either SRM9030, SRM9022 or SRM9020.

Ideal for:

- Ambulance, fire truck, locomotives or any other vehicles that require multiple user interface



Other configurations available: • GPS interface • Taxi interface • 4-wire interface
• 600 Ohm interface • D-MAP (Mobile Repeater System)

For additional information on this and other Simoco products visit our website:

www.simocogroup.com

